

FILLER FOR LABORATORY FEASIBILITY STUDIES



The Rychiger AF 50 is designed for the performance of tests and test production runs with process parameters that are identical with those of industrial filling and sealing machines, providing reproducible results. The processes can thus be transferred easily and with high accuracy from the lab to the industrial machine. The customisable touch panel enables operators to adjust and monitor the process parameters as required.

Basic design

- Compact machine frame, ergonomically optimised for manual operation
- Modular function layout, extendible with various standard elements
- Complete powder-coated machine cover made in aluminium
- Hygienic design for fast and easy cleaning

Filling

- Auger driven by servo motor, guaranteeing accurate and reproducible filling processes
- Filling parameters adjusted at HMI
- Lift under filler available for manual or knee operation
- Available with optional powder feed system with screw feeder and vibrating chute

Operation

- Ergonomically optimised working height for manual operation (1,100 - 1,200mm)
- Two-hand release by means of touch buttons for safe operation
- Colour touch screen serving as HMI for the display of monitored process parameters and the control of all machine functions

Control and safety

- Allen Bradley control and motion system
- Special servo drive model with „safe off“ function guarantees reliable and safe movement within operator range
- Process data storage and statistical analyses on industrial PC equipped with standard conventional interfaces for data export
- Machine certified according to CE standard

Documentation

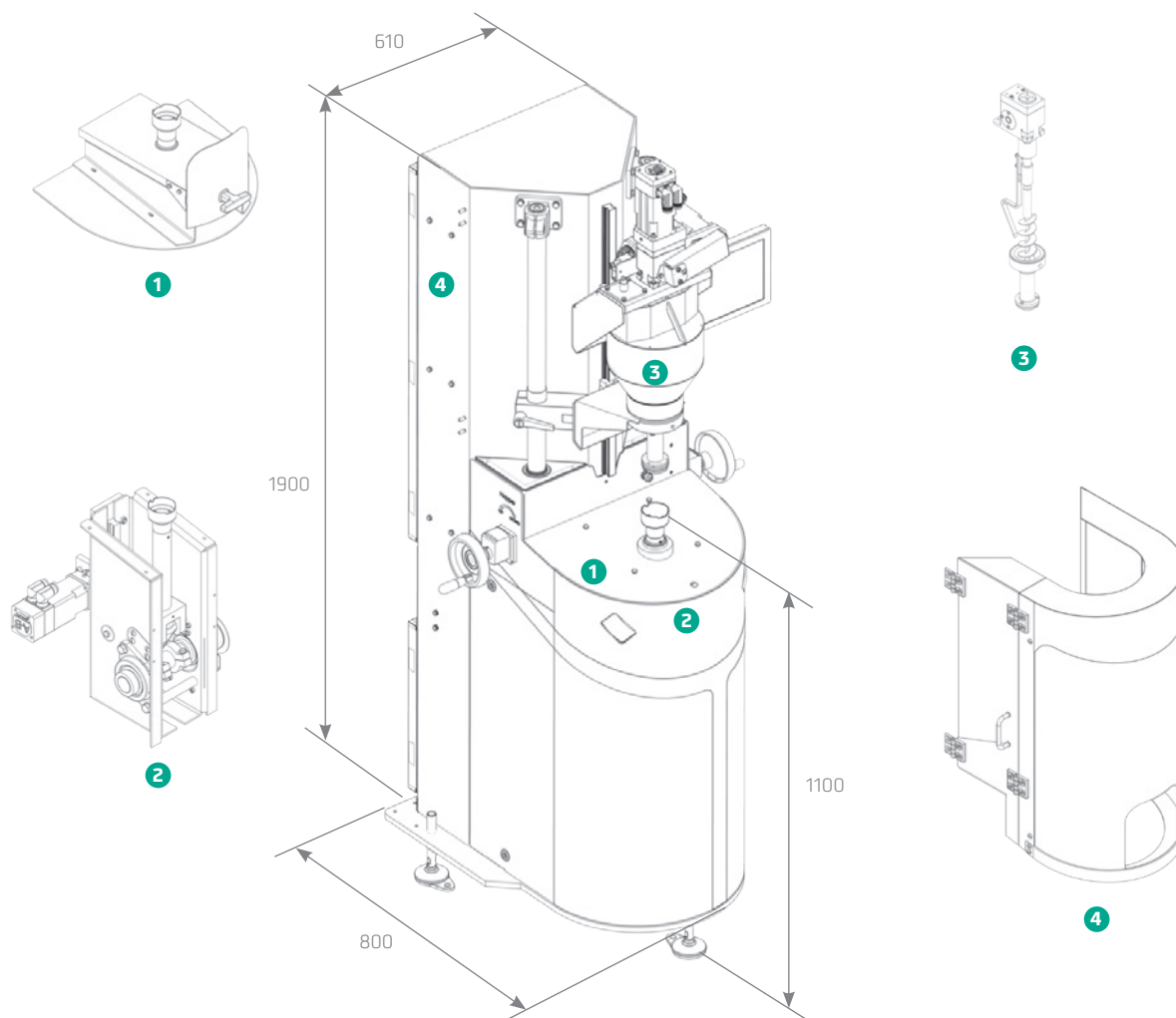
- Supplied with comprehensive operating instructions

TECHNICAL DATA OF AF 50

Fill weight	Dosing time	Dimensions (lxwxh)	Weight	Container size	Drive
up to 50g	approx. 400ms	800x610x1900mm	approx. 350kg	up to Ø 120mm	Servo

MACHINE CONNECTIONS

Power connection	Operating power	Fuse
3 x 460 V + Pe / 60 Hz 3 x 400 V + Pe / 50 Hz	approx. 3 kW	10 A



- 1 Manual lift
- 2 Knee-lever lift
- 3 Filling screw
- 4 Cover



Rychiger AG

Alte Bernstrasse 135
3613 Steffisburg
Switzerland

www.rychiger.com

T +41 (0)33 439 68 68
F +41 (0)33 439 68 88
rychiger@rychiger.com

Rychiger US Inc.

600 Spring Hill Ring Road
West Dundee, IL 60118
USA

T +1 (0)847 836 0612
F +1 (0)847 628 0708
us.service@rychiger.com